

PLEASE CHECK WWW.MOLEX.COM FOR LATEST PART INFORMATION

Part Number: [0039000333](#)
Status: **Active**
Overview: [standard .062](#)
Description: 1.57mm (.062") Diameter, Standard .062" Pin and Socket Crimp Terminal, 3.68mm (.145") Pitch, Female, Gold (Au) over Nickel (Ni) Plated Brass Contact, Reel

Documents:

[Drawing \(PDF\)](#) [RoHS Certificate of Compliance \(PDF\)](#)
[Product Specification PS-1625-010 \(PDF\)](#)

General

Product Family	Crimp Terminals
Series	1561
Crimp Quality Equipment	Yes
Overview	standard .062
Product Name	Standard .062"

Physical

Durability (mating cycles max)	30
Gender	Receptacle
Material - Metal	Brass
Material - Plating Mating	Gold
Material - Plating Termination	Gold
Packaging Type	Reel
Plating min: Mating (µin)	14
Plating min: Mating (µm)	0.35
Plating min: Termination (µin)	14
Plating min: Termination (µm)	0.35
Termination Interface: Style	Crimp or Compression
Wire Insulation Diameter	1.50-3.10mm (.059-.122")
Wire Size AWG	18, 20, 22, 24
Wire Size mm ²	N/A

Electrical

Current - Maximum per Contact	5A
Voltage - Maximum	250V AC (RMS)/DC

Material Info

Old Part Number	1561G
-----------------	-------

Reference - Drawing Numbers

Product Specification	PS-1625-010, RPS-1625-001
Sales Drawing	SD-1561-001

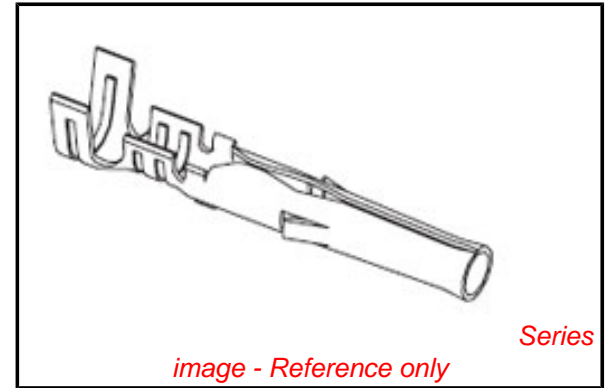


image - Reference only

EU RoHS

**ELV and RoHS
Compliant**
**REACH SVHC
Contains SVHC: No**
**Halogen-Free
Status**

China RoHS



Not Reviewed

**Need more information on product
environmental compliance?**

Email productcompliance@molex.com
 For a multiple part number RoHS Certificate of Compliance, [click here](#)

Please visit the [Contact Us](#) section for any non-product compliance questions.

Search Parts in this Series

[1561Series](#)

Use With

[1625](#)

Application Tooling | FAQ

Tooling specifications and manuals are found by selecting the products below. Crimp Height Specifications are then contained in the Application Tooling Specification document.

Global

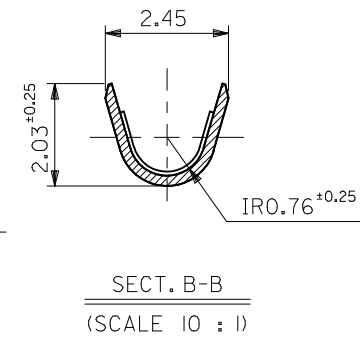
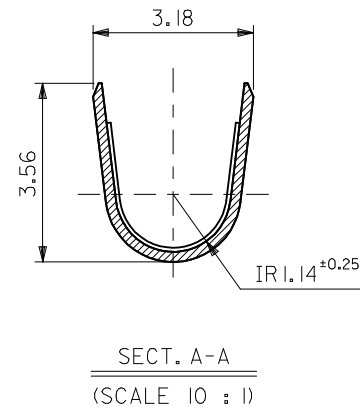
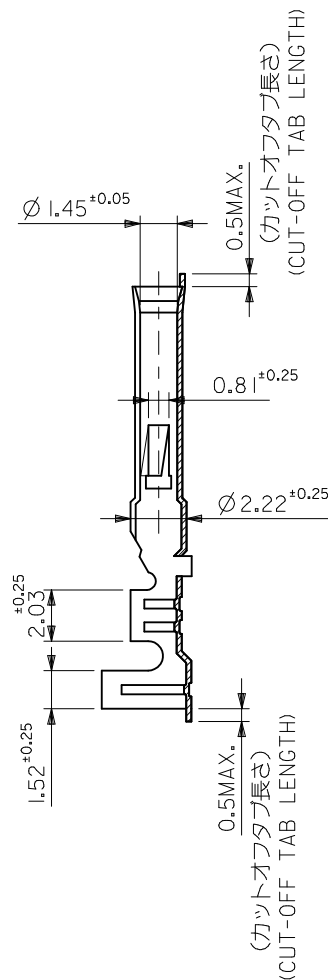
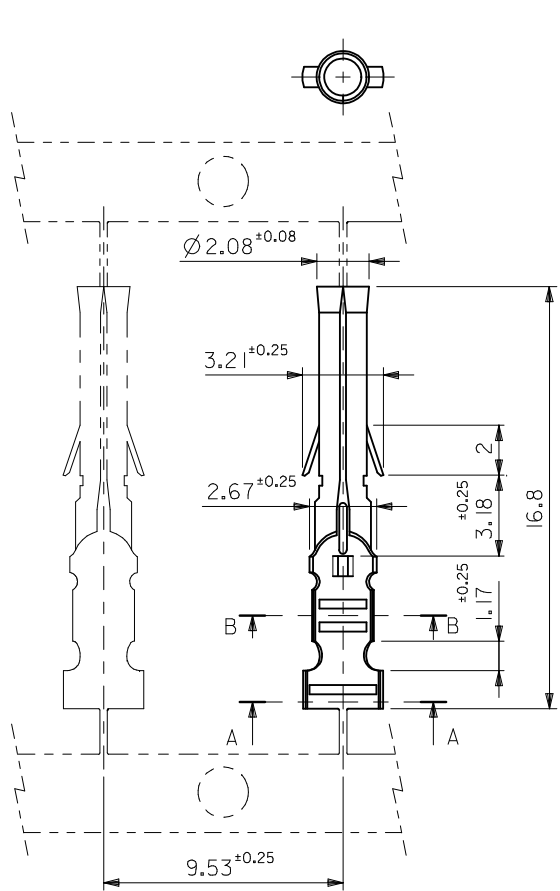
Description	Product #
Mini-Mac™ Applicator	0638914000
Hand Crimp Tool for Standard .062" Pin and Socket Crimp Terminals, 18-24 AWG	0638191300
Manual Extraction Tool	0011030002

Japan

Description	Product #
Hand Insertion Tool	0011020001
Applicator for M211A	0011260072
Bench Press, 18-28 AWG, for 1560 and 1561 Crimp Terminal	
Hand Extraction Tool	0011267034

This document was generated on 05/19/2010

PLEASE CHECK WWW.MOLEX.COM FOR LATEST PART INFORMATION



注記 NOTES:

1. 一般公差 : ±0.4
GENERAL TOLERANCES : ±0.4

ニッケル (2 µm MIN.) 下地 金 (0.35 µm MIN.) GOLD (0.35 µm MIN.) OVER NICKEL (2 µm MIN.)	39-00-0334	I56 IGL	バラ端子 LOOSE
銅 (0.5 µm MIN.) 下地 錫 (0.9 µm MIN.) TIN (0.9 µm MIN.) OVER COPPER (0.5 µm MIN.)	39-00-0333	I56 IG	連鎖状端子 CHAIN
メッキ PLATING	39-00-0331	I56 ITL	バラ端子 LOOSE
	39-00-0279	I56 IT	連鎖状端子 CHAIN
EDP.NO.	ENG.NO.	形状 FORM	

材料 MATERIAL 黄銅 BRASS 0.2 t	REVISED EC NO: J2009-19/41 DRWN: YA0YAGI 2009/02/16 CHKD: THARUYAMA 2009/02/17 APPR: NUKITA 2009/02/17	GENERAL TOLERANCES (UNLESS SPECIFIED)	DIMENSION STYLE MM ONLY	SCALE 5:1	DESIGN UNITS METRIC	THIRD ANGLE PROJECTION
仕上げ FINISH		10 UNDER ± --- 10 OVER 30 UNDER ± --- 30 OVER ± ---	DRAWN BY H. HASEGAWA	DATE '93/07/09	TITLE .062 DIA CRIMP FEMALE TERM	
適用電線範囲 WIRE RANGE AWG# 18-#24	DESCRIPTION	ANGULAR ± --- ° DRAFT WHERE APPLICABLE MUST REMAIN WITHIN DIMENSIONS	CHECKED BY H. HIRAMOTO	DATE '93/07/09	MOLEX INCORPORATED	
被覆外径 INS. RANGE Ø 1.5 ~ 3.1	REV		APPROVED BY M. FUKUSHIMA	DATE '93/07/09	DOCUMENT NO. SD-1561-001	SHEET NO. 1 OF 1
			MATERIAL NO. SEE TABLE		THIS DRAWING CONTAINS INFORMATION THAT IS PROPRIETARY TO MOLEX INCORPORATED AND SHOULD NOT BE USED WITHOUT WRITTEN PERMISSION	